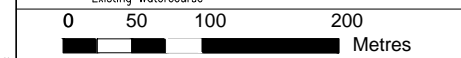




Location plan

- Notes:**
1. This drawing is to be read in conjunction with the accompanying outline surface water drainage strategy.
 2. Dimensions are not to be scaled from this drawing.
 3. All dimensions are in metres unless otherwise stated.
 4. Levels are in metres AOD unless stated otherwise.
 5. All drainage works to be constructed in accordance with building regulations part H, DCG 2021 and civil engineering specification for the water industry (last revisions) where appropriate.
 6. All external private drainage pipes to be either clayware to BS EN 295 and BS EN 65 or plastic to BS EN 13476. All internal drainage to be cast iron to BS 416-1 and BS EN 877 or clayware to BS EN 285 and BS EN 65.
 7. Outline drainage strategy to be submitted as part of the DCO submission and will be subject to consultation with relevant statutory authorities, including the lead local flood authority [LLFA].
 8. Drainage strategy subject to intrusive surveys to ensure connectivity to watercourse is possible, including from a levels perspective.
 9. High ground water recorded on site.
 10. Positioning and alignment of drainage features shown on the drawing are indicative and subject to detailed design and approval from LLFA.
 11. Detailed drainage layout to be prepared post DCO consent and subject to approvals from relevant approving bodies.
 12. The position of existing services should be verified prior to commencement of works on-site.
 13. Drainage infrastructure (excluding any proposed connection/outfall into the watercourse) to be located at least 8m away from the main watercourse to the north (i.e. East Central Drain) at the detailed design stage. The Environment Agency and the LLFA will be consulted on the detailed alignment for comments e.g. in relation to the proposed outfall into the watercourse.

- Key:**
- DCO Order Limit
 - Proposed 1200Ø Manhole
 - Proposed Underground Surface Water Pipe
 - Proposed Vegetated Open Channel [300mm Width & Depth]
 - Proposed Filter Drainage Channel
 - Proposed Filter Drain
 - Proposed Detention Pond
 - Proposed Land Drain
 - Proposed Graveled Area [1084m²]
 - Proposed Hard-standing Area [716m²]
 - Existing Watercourse



Contains OS data © Crown Copyright and database right 2022

HyNet North West

PROJECT TITLE
HyNet Carbon Dioxide Pipeline DCO

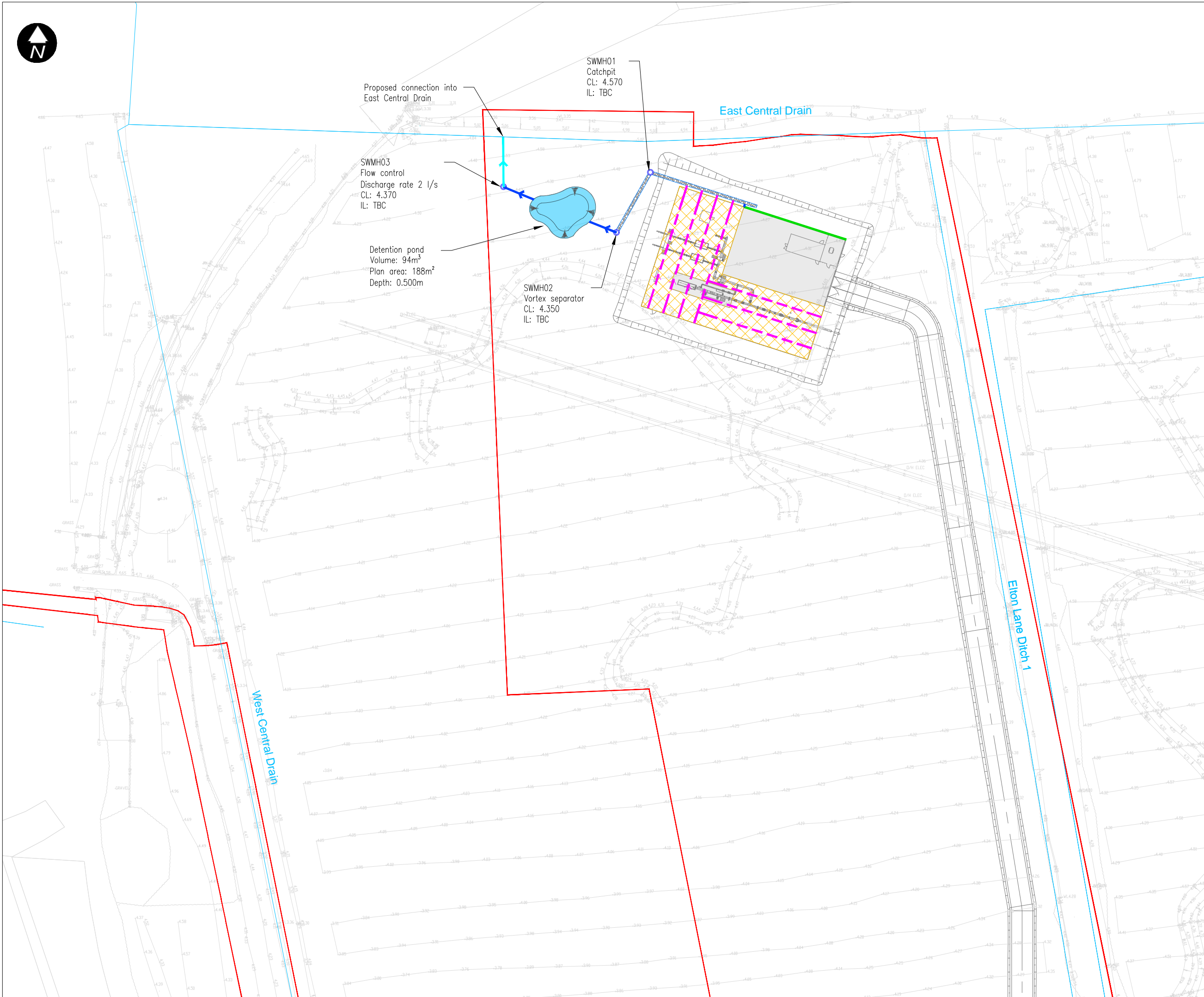
DRAWING TITLE
Ince - Above Ground Installation (AGI) Drainage Layout

DRAWING STATUS
FOR DCO SUBMISSION

DRAWN	CHECKED	APPROVED	AUTHORISED
MA	MA	AS	NG

SCALE @ A3 SIZE	DATE	REVISION
1:1,000	20/09/2022	A

DRAWING NUMBER:
EN070007-D.6.5.13.1-LAY-SHEET 1





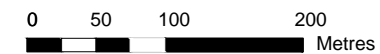
Location Plan

Notes:

1. This drawing is to be read in conjunction with the accompanying outline surface water drainage strategy.
2. Dimensions are not to be scaled from this drawing.
3. All dimensions are in metres unless otherwise stated.
4. Levels are in metres AOD unless stated otherwise.
5. All drainage works to be constructed in accordance with building regulations part H, DCO 2021 and civil engineering specification for the water industry (last revisions) where appropriate.
6. All external private drainage pipes to be either clayware to BS EN 295 and BS EN 65 or plastic to BS EN 13476. All internal drainage to be cast iron to BS 416-1 and BS EN 877 or clayware to BS EN 285 AND BS EN 65.
7. Outline drainage strategy to be submitted as part of the DCO submission and will be subject to consultation with relevant statutory authorities, including the lead local flood authority [LLFA].
8. Positioning and alignment of drainage features shown on the drawing are indicative and subject to detailed design and approval from LLFA.
9. Detailed drainage layout to be prepared post DCO consent and subject to approvals from relevant approving bodies.
10. The position of existing services should be verified prior to commencement of works on-site.

Key:

- DCO Order Limit
- Proposed 1200Ø Manhole
- > Proposed Underground Surface Water Pipe
- Proposed Filter Drainage Channel
- Proposed Filter Drain
- - - Proposed Land Drain
- Proposed Graveled Area [2038.5m²]
- Proposed Hardstanding Area [617.5m²]



Contains OS data © Crown Copyright and database right 2022

HyNet North West

PROJECT TITLE

HyNet Carbon Dioxide Pipeline DCO

DRAWING TITLE

Stanlow - Above Ground Installation (AGI) Drainage Layout

DRAWING STATUS

FOR DCO SUBMISSION

DRAWN	CHECKED	APPROVED	AUTHORISED
MA	MA	AS	NG

SCALE @ A3 SIZE	DATE	REVISION
1:1,000	20/09/2022	A

DRAWING NUMBER:
EN070007-D.6.5.13.1-LAY-SHEET 2

Proposed surface water runoff to connect into existing infrastructure serving the wider Stanlow site

SWMH01
Vortex separator
CL: 9.320
IL: TBC

Elton Brook Trib 1



SWMH01
Vortex separator
CL: 18.085
IL: TBC

Detention pond
Volume: 36m³
Plan area: 72m²
Depth 0.500m

SWMH02
Flow control
Discharge rate 2 l/s
CL: 17.075
IL: TBC

Proposed connection into
Canal Ditch

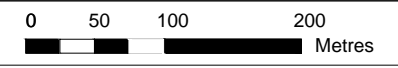
Canal Ditch



Location Plan

- Notes:**
- This drawing is to be read in conjunction with the accompanying outline surface water drainage strategy.
 - Dimensions are not to be scaled from this drawing.
 - All dimensions are in metres unless otherwise stated.
 - Levels are in metres AOD unless stated otherwise.
 - All drainage works to be constructed in accordance with building regulations part H, DCG 2021 and civil engineering specification for the water industry (last revisions) where appropriate.
 - All external private drainage pipes to be either clayware to BS EN 295 and BS EN 65 or plastic to BS EN 13476. All internal drainage to be cast iron to BS 416-1 and BS EN 877 or clayware to BS EN 285 and BS EN 65.
 - Outline drainage strategy to be submitted as part of the DCO submission and will be subject to consultation with relevant statutory authorities, including the lead local flood authority [LLFA].
 - Drainage strategy subject to intrusive surveys to ensure connectivity to watercourse is possible, including from a levels perspective.
 - Positioning and alignment of drainage features shown on the drawing are indicative and subject to detailed design and approval from LLFA.
 - Detailed drainage layout to be prepared post DCO consent and subject to approvals from relevant approving bodies.
 - The position of existing services should be verified prior to commencement of works on-site.

- Key:**
- DCO Order Limit
 - Proposed 1200# Manhole
 - Proposed Underground Surface Water Pipe
 - Proposed Vegetated Open Channel [300mm Width & Depth]
 - Proposed Filter Drainage Channel
 - ▨ Proposed Filter Drain
 - ▨ Proposed Detention Pond
 - Proposed Land Drain
 - ▨ Proposed Graveled Area [746.5m²]
 - ▨ Proposed Hardstanding Area [303.5m²]
 - Existing Watercourse



Contains OS data © Crown Copyright and database right 2022

HyNet North West

PROJECT TITLE
HyNet Carbon Dioxide Pipeline DCO

DRAWING TITLE
Rockbank - Block Valve Station (BVS) Drainage Layout

DRAWING STATUS
FOR DCO SUBMISSION

DRAWN	CHECKED	APPROVED	AUTHORISED
MA	MA	AS	NG

SCALE @ A3 SIZE	DATE	REVISION
1:1,250	20/09/2022	A

DRAWING NUMBER:
EN070007-D.6.5.13.1-LAY-SHEET 3



Location Plan

- Notes:**
1. This drawing is to be read in conjunction with the accompanying outline surface water drainage strategy.
 2. Dimensions are not to be scaled from this drawing.
 3. All dimensions are in metres unless otherwise stated.
 4. Levels are in metres AOD unless stated otherwise.
 5. All drainage works to be constructed in accordance with building regulations part H, DCC 2021 and civil engineering specification for the water industry (last revisions) where appropriate.
 6. All external private drainage pipes to be either clayware to BS EN 295 and BS EN 65 or plastic to BS EN 13476. All internal drainage to be cast iron to BS 416-1 and BS EN 877 or clayware to BS EN 285 and BS EN 65.
 7. Outline drainage strategy to be submitted as part of the DCO submission and will be subject to consultation with relevant statutory authorities, including the lead local flood authority [LLFA].
 8. Drainage strategy subject to intrusive surveys to ensure connectivity to watercourse is possible, including from a levels perspective.
 9. Positioning and alignment of drainage features shown on the drawing are indicative and subject to detailed design and approval from LLFA.
 10. Detailed drainage layout to be prepared post DCO consent and subject to approvals from relevant approving bodies.
 11. The position of existing services should be verified prior to commencement of works on-site.

- Key:**
- DCO Order Limit
 - Proposed 1200Ø Manhole
 - Proposed Underground Surface Water Pipe
 - Proposed Vegetated Open Channel [300mm Width & Depth]
 - Proposed Filter Drainage Channel
 - ▨ Proposed Filter Drain
 - Proposed Detention Pond
 - Proposed Land Drain
 - ▨ Proposed Graveled Area [746.5m²]
 - ▨ Proposed Hardstanding Area [303.5m²]
 - Existing Watercourse



Contains OS data © Crown Copyright and database right 2022

HyNet North West

PROJECT TITLE HyNet Carbon Dioxide Pipeline DCO

DRAWING TITLE Mollington - Block Valve Station (BVS) Drainage Layout

DRAWING STATUS FOR DCO SUBMISSION

DRAWN	CHECKED	APPROVED	AUTHORISED
MA	MA	AS	NG

SCALE @ A3 SIZE	DATE	REVISION
1:500	20/09/2022	A

DRAWING NUMBER:
EN070007-D.6.5.13.1-LAY-SHEET 4

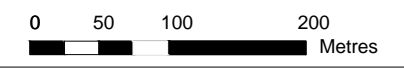




Location Plan

- Notes:**
1. This drawing is to be read in conjunction with the accompanying outline surface water drainage strategy.
 2. Dimensions are not to be scaled from this drawing.
 3. All dimensions are in metres unless otherwise stated.
 4. Levels are in metres AOD unless stated otherwise.
 5. All drainage works to be constructed in accordance with building regulations part H, sewer for adoption 7th and civil engineering specification for the water industry (last revisions) where appropriate.
 6. All external private drainage pipes to be either clayware to BS EN 295 and BS EN 65 or plastic to BS EN 13476. All internal drainage to be cast iron to BS 416-1 and BS EN 877 or clayware to BS EN 285 and BS EN 65.
 7. Outline drainage strategy to be submitted as part of the DCO submission and will be subject to consultation with relevant statutory authorities, including SuDS approving body [SAB].
 8. Drainage strategy subject to intrusive surveys to ensure connectivity to watercourse is possible, including from a levels perspective.
 9. Positioning and alignment of drainage features shown on the drawing are indicative and subject to detailed design and approval from SAB.
 10. Detailed drainage layout to be prepared post DCO consent and subject to approvals from relevant approving bodies.
 11. The position of existing services should be verified prior to commencement of works on-site.

- Key:**
- DCO Order Limit
 - Proposed 1200 ϕ Manhole
 - Proposed Underground Surface Water Pipe
 - Proposed Filter Drainage Channel
 - Proposed Filter Drain
 - Proposed Detention Pond
 - Proposed Land Drain
 - Proposed Graveled Area [746.5m²]
 - Proposed Hardstanding Area [303.5m²]
 - Existing Watercourse



Contains OS data © Crown Copyright and database right 2022

HyNet North West

PROJECT TITLE
HyNet Carbon Dioxide Pipeline DCO

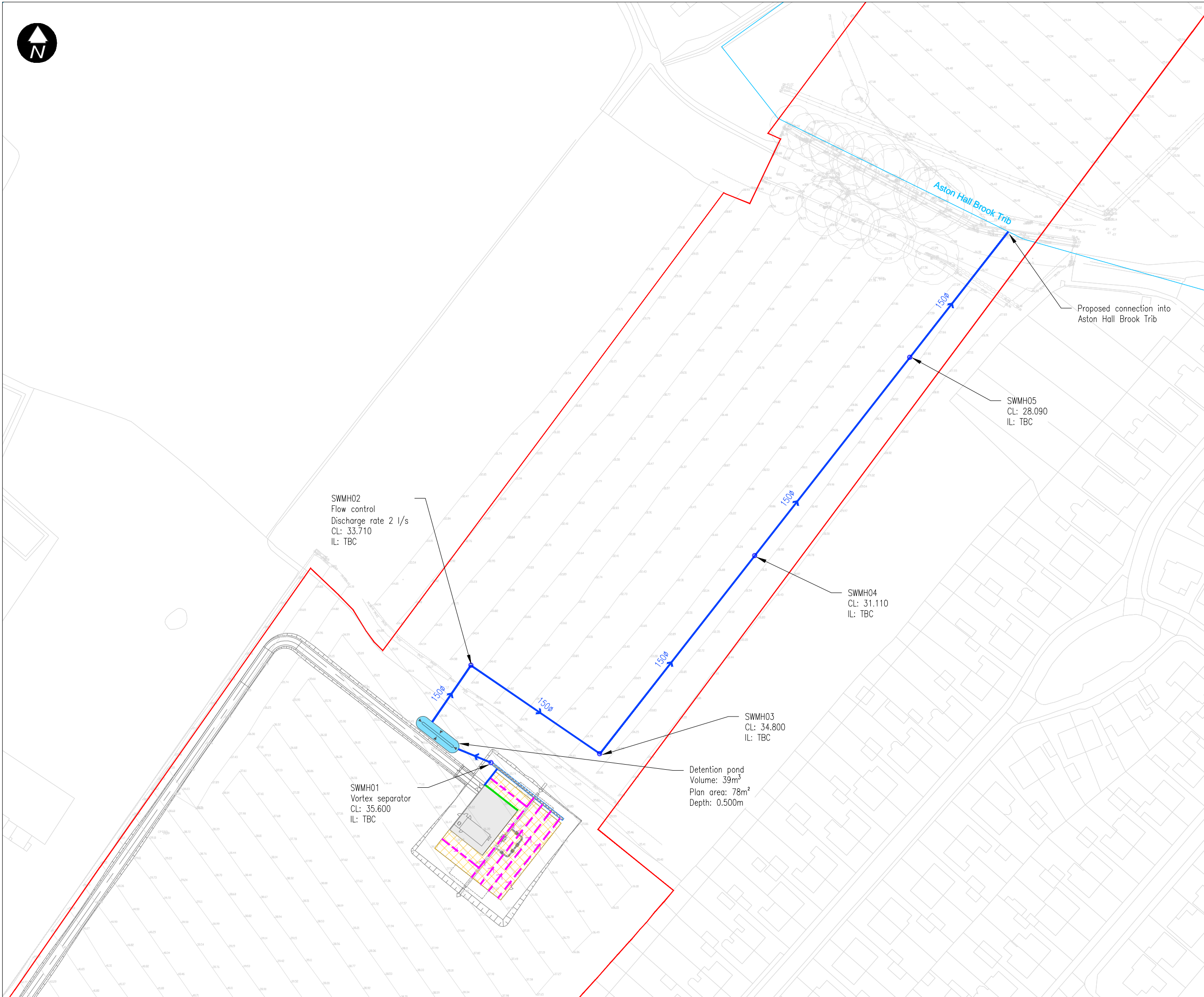
DRAWING TITLE
Aston Hill - Block Valve Station (BVS) Drainage Layout

DRAWING STATUS
FOR DCO SUBMISSION

DRAWN	CHECKED	APPROVED	AUTHORISED
MA	MA	AS	NG

SCALE @ A3 SIZE	DATE	REVISION
1:1,250	20/09/2022	A

DRAWING NUMBER:
EN070007-D.6.5.13.1-LAY-SHEET 5





Location Plan

Notes:

1. This drawing is to be read in conjunction with the accompanying outline surface water drainage strategy.
2. Dimensions are not to be scaled from this drawing.
3. All dimensions are in metres unless otherwise stated.
4. Levels are in metres AOD unless stated otherwise.
5. All drainage works to be constructed in accordance with building regulations part H, sewer for adoption 7th and civil engineering specification for the water industry (last revisions) where appropriate.
6. All external private drainage pipes to be either clayware to BS EN 295 and BS EN 65 or plastic to BS EN 13476. All internal drainage to be cast iron to BS 416-1 and BS EN 877 or clayware to BS EN 285 and BS EN 65.
7. Outline drainage strategy to be submitted as part of the DCO submission and will be subject to consultation with relevant statutory authorities, including the lead local flood authority [LLFA].
8. Drainage strategy subject to intrusive surveys to ensure connectivity to watercourse is possible, including from a levels perspective.
9. Positioning and alignment of drainage features shown on the drawing are indicative and subject to detailed design and approval from LLFA.
10. Detailed drainage layout to be prepared post DCO consent and subject to approvals from relevant approving bodies.
11. The position of existing services should be verified prior to commencement of works on-site.

Key:

- DCO Order Limit
- Proposed 1200mm Manhole
- Proposed Underground Surface Water Pipe
- Proposed Vegetated Open Channel [300mm Width & Depth]
- Proposed Filter Drainage Channel
- Proposed Filter Drain
- Proposed Detention Pond
- Proposed Land Drain
- Proposed Graveled Area [746.5m²]
- Proposed Hardstanding Area [303.5m²]
- Existing Watercourse



Contains OS data © Crown Copyright and database right 2022

HyNet North West

PROJECT TITLE
HyNet Carbon Dioxide Pipeline DCO

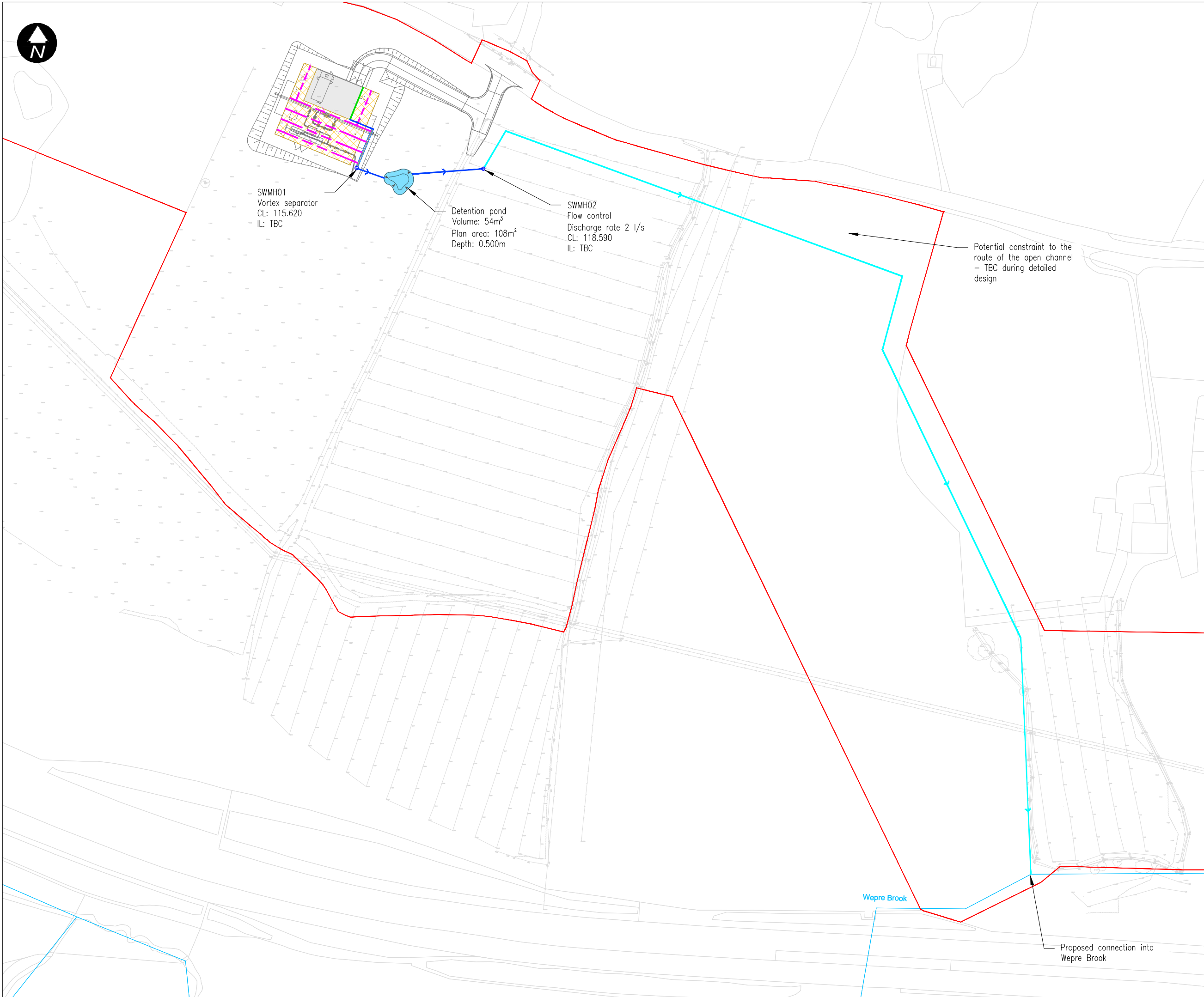
DRAWING TITLE
Northop Hall - Above Ground Installation (AGI) Drainage Layout

DRAWING STATUS
FOR DCO SUBMISSION

DRAWN	CHECKED	APPROVED	AUTHORISED
MA	MA	AS	NG

SCALE @ A3 SIZE	DATE	REVISION
1:1,500	20/09/2022	A

DRAWING NUMBER:
EN070007-D.6.5.13.1-LAY-SHEET 6



SWMH01
Vortex separator
CL: 115.620
IL: TBC

Detention pond
Volume: 54m³
Plan area: 108m²
Depth: 0.500m

SWMH02
Flow control
Discharge rate 2 l/s
CL: 118.590
IL: TBC

Potential constraint to the route of the open channel
- TBC during detailed design

Wepre Brook

Proposed connection into Wepre Brook



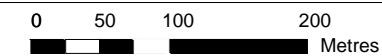
Location Plan

Notes:

1. This drawing is to be read in conjunction with the accompanying outline surface water drainage strategy.
2. Dimensions are not to be scaled from this drawing.
3. All dimensions are in metres unless otherwise stated.
4. Levels are in metres AOD unless stated otherwise.
5. All drainage works to be constructed in accordance with building regulations part H, sewer for adoption 7th and civil engineering specification for the water industry (last revisions) where appropriate.
6. All external private drainage pipes to be either clayware to BS EN 295 and BS EN 65 or plastic to BS EN 13476. All internal drainage to be cast iron to BS 416-1 and BS EN 877 or clayware to BS EN 285 and BS EN 65.
7. Outline drainage strategy to be submitted as part of the DCO submission and will be subject to consultation with relevant statutory authorities, including the lead local flood authority [LLFA].
8. Drainage strategy subject to intrusive surveys to ensure connectivity to watercourse is possible, including from a levels perspective.
9. Positioning and alignment of drainage features shown on the drawing are indicative and subject to detailed design and approval from LLFA.
10. Detailed drainage layout to be prepared post DCO consent and subject to approvals from relevant approving bodies.
11. The position of existing services should be verified prior to commencement of works on-site.
12. Proposed open channel may intersect a surface water flow path, this is to be review in detailed design stage.

Key:

- DCO Order Limit
- Proposed 1200Ø Manhole
- Proposed Underground Surface Water Pipe
- Proposed Vegetated Open Channel [300mm Width & Depth]
- Proposed Filter Drainage Channel
- Proposed Filter Drain
- Proposed Detention Pond
- Proposed Land Drain
- Proposed Graveled Area [746.5m²]
- Proposed Hardstanding Area [303.5m²]
- Existing Watercourse



Contains OS data © Crown Copyright and database right 2022

HyNet North West

PROJECT TITLE HyNet Carbon Dioxide Pipeline DCO

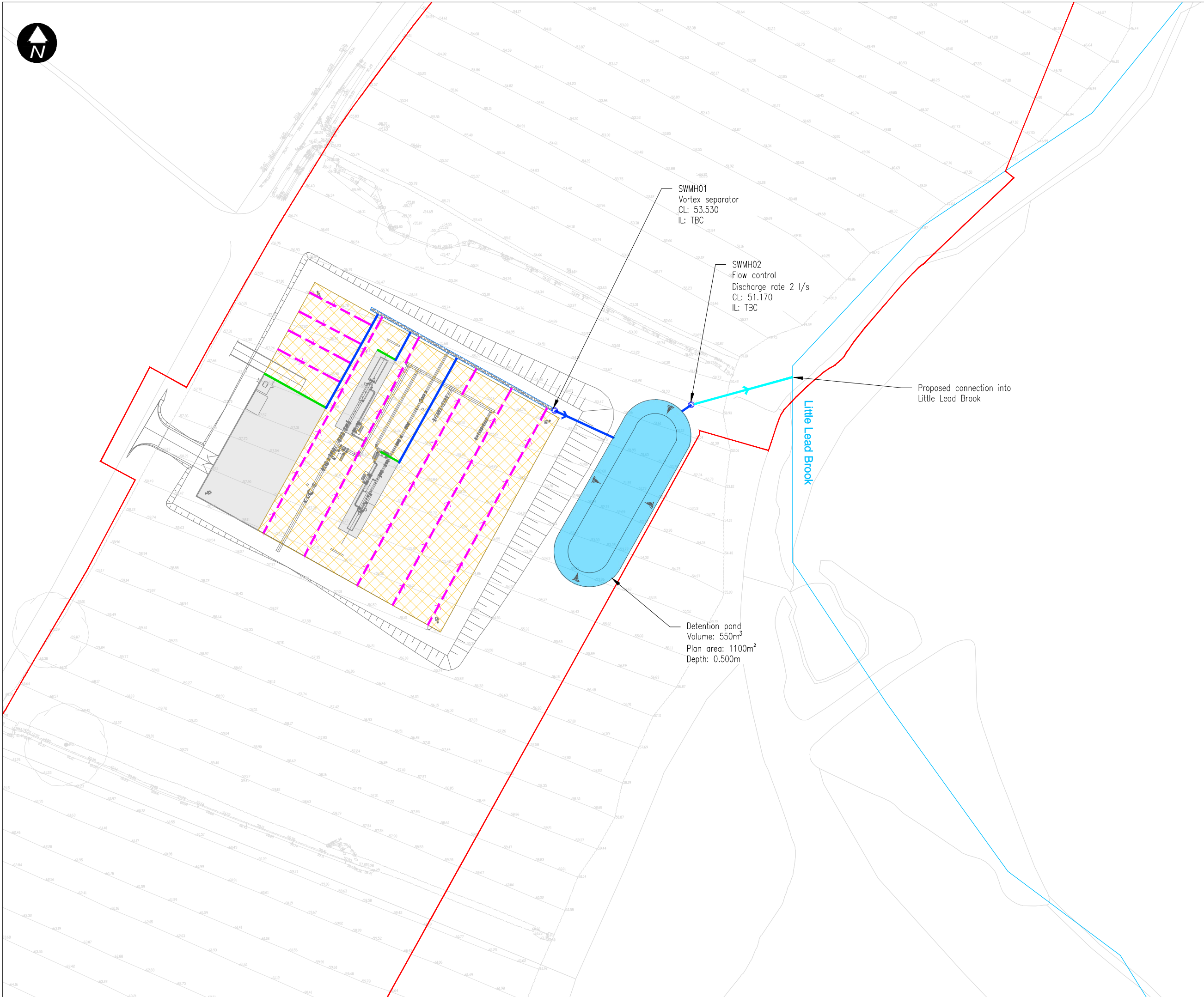
DRAWING TITLE Flint - Above Ground Installation (AGI) Drainage Layout

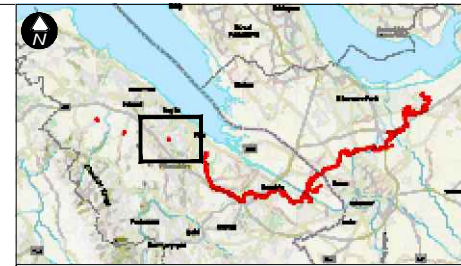
DRAWING STATUS FOR DCO SUBMISSION

DRAWN	CHECKED	APPROVED	AUTHORISED
MA	MA	AS	NG

SCALE @ A3 SIZE	DATE	REVISION
1:1,000	20/09/2022	A

DRAWING NUMBER:
EN070007-D.6.5.13.1-LAY-SHEET 7

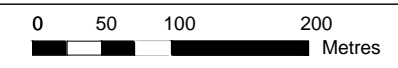




Location Plan

- Notes:**
1. This drawing is to be read in conjunction with the accompanying outline surface water drainage strategy.
 2. Dimensions are not to be scaled from this drawing.
 3. All dimensions are in metres unless otherwise stated.
 4. Levels are in metres AOD unless stated otherwise.
 5. All drainage works to be constructed in accordance with building regulations part H, sewer for adoption 7th and civil engineering specification for the water industry (last revisions) where appropriate.
 6. All external private drainage pipes to be either clayware to BS EN 295 and BS EN 65 or plastic to BS EN 13476. All internal drainage to be cast iron to BS 416-1 and BS EN 877 or clayware to BS EN 285 and BS EN 65.
 7. Outline drainage strategy to be submitted as part of the DCO submission and will be subject to consultation with relevant statutory authorities, including SuDS approving body [SAB].
 8. Drainage strategy subject to intrusive surveys to ensure connectivity to watercourse is possible, including from a levels perspective.
 9. Positioning and alignment of drainage features shown on the drawing are indicative and subject to detailed design and approval from SAB.
 10. Detailed drainage layout to be prepared post DCO consent and subject to approvals from relevant approving bodies.
 11. The position of existing services should be verified prior to commencement of works on-site.

- Key:**
- DCO Order Limit
 - Proposed 1200 ϕ Manhole
 - Proposed Underground Surface Water Pipe
 - Proposed Vegetated Open Channel [300mm Width & Depth]
 - Proposed Filter Drainage Channel
 - Proposed Filter Drain
 - Proposed Detention Pond
 - Proposed Land Drain
 - Proposed Graveled Area [746.5m²]
 - Proposed Hardstanding Area [303.5m²]
 - Existing Watercourse



Contains OS data © Crown Copyright and database right 2022

HyNet North West

PROJECT TITLE
HyNet Carbon Dioxide Pipeline DCO

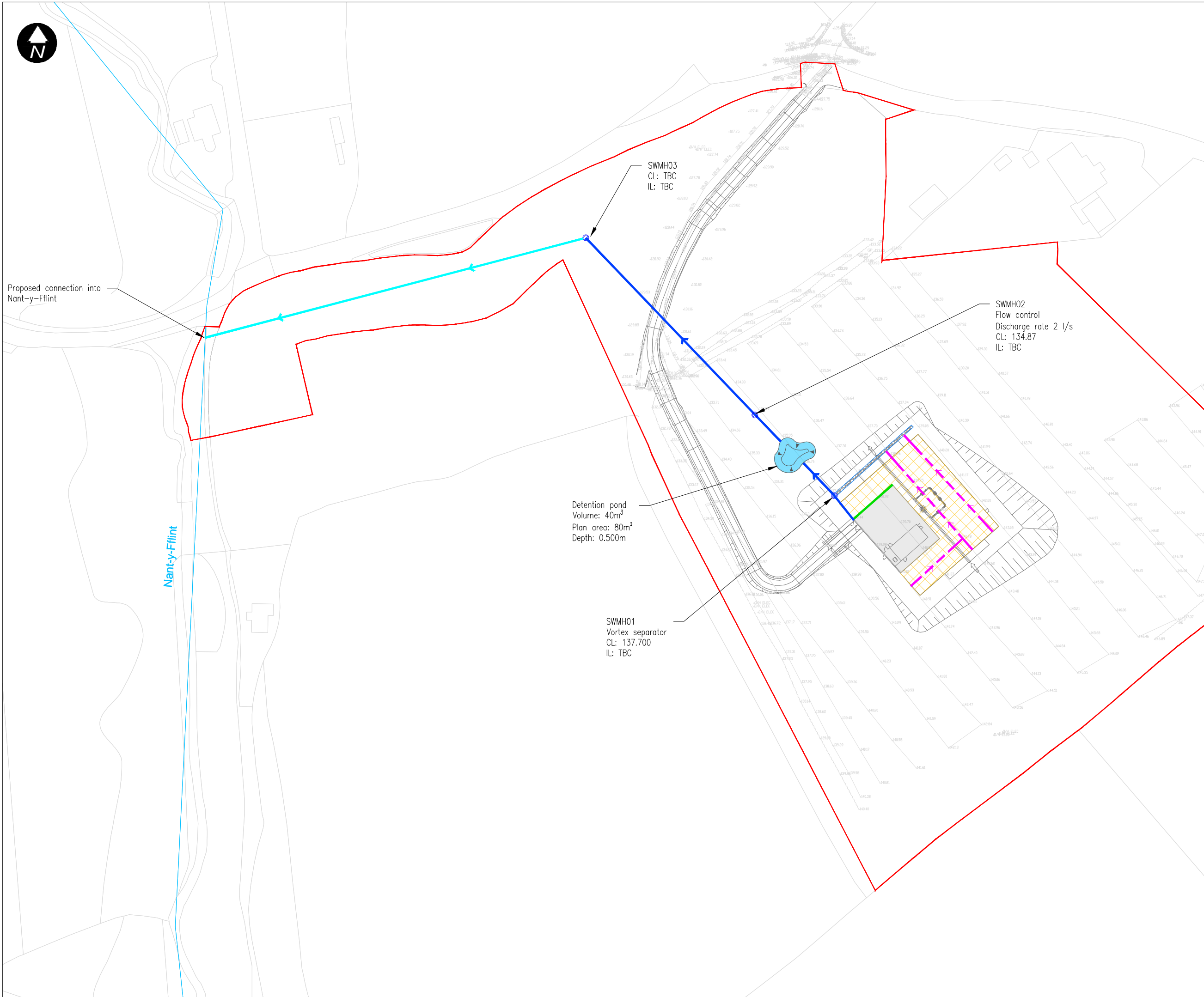
DRAWING TITLE
Cornist Lane - Block Valve Station (BVS) Drainage Layout

DRAWING STATUS
FOR DCO SUBMISSION

DRAWN	CHECKED	APPROVED	AUTHORISED
MA	MA	AS	NG

SCALE @ A3 SIZE	DATE	REVISION
1:1,000	20/09/2022	A

DRAWING NUMBER:
EN070007-D.6.5.13.1-LAY-SHEET 8





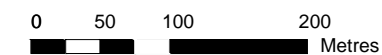
Location Plan

Notes:

1. This drawing is to be read in conjunction with the accompanying outline surface water drainage strategy.
2. Dimensions are not to be scaled from this drawing.
3. All dimensions are in metres unless otherwise stated.
4. Levels are in metres AOD unless stated otherwise.
5. All drainage works to be constructed in accordance with building regulations part H, sewer for adoption 7th and civil engineering specification for the water industry (last revisions) where appropriate.
6. All external private drainage pipes to be either clayware to BS EN 295 and BS EN 65 or plastic to BS EN 13476. All internal drainage to be cast iron to BS 416-1 and BS EN 877 or clayware to BS EN 285 and BS EN 65.
7. Outline drainage strategy to be submitted as part of the DCO submission and will be subject to consultation with relevant statutory authorities, including SuDS approving body [SAB].
8. Positioning and alignment of drainage features shown on the drawing are indicative and subject to detailed design and approval from SAB.
9. Detailed drainage layout to be prepared post DCO consent and subject to approvals from relevant approving bodies.
10. The position of existing services should be verified prior to commencement of works on-site.

Key:

- DCO Order Limit
- Proposed 1200 ϕ Manhole
- Proposed Underground Surface Water Pipe
- Proposed Filter Drainage Channel
- Proposed Filter Drain
- Proposed Detention Pond
- - - Proposed Land Drain
- Proposed Gravelled Area [746.5m²]
- Proposed Hardstanding Area [303.5m²]
- Existing Watercourse



Contains OS data © Crown Copyright and database right 2022

HyNet North West

PROJECT TITLE

HyNet Carbon Dioxide Pipeline DCO

DRAWING TITLE

Pentre Halkyn - Block Valve Station (BVS) Drainage Layout

DRAWING STATUS

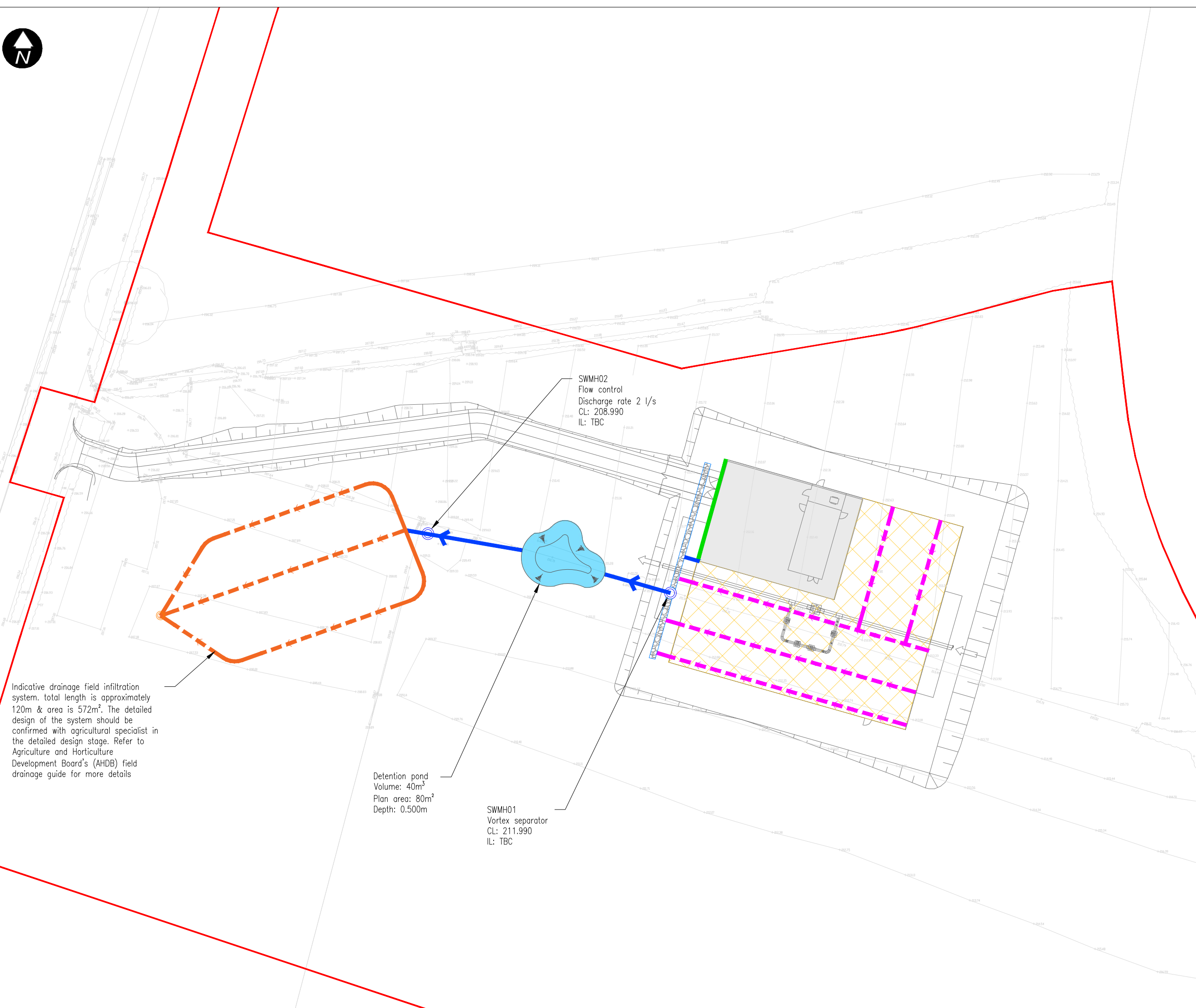
FOR DCO SUBMISSION

DRAWN	CHECKED	APPROVED	AUTHORISED
MA	MA	AS	NG

SCALE @ A3 SIZE	DATE	REVISION
1:500	20/09/2022	A

DRAWING NUMBER:

EN070007-D.6.5.13.1-LAY-SHEET 9

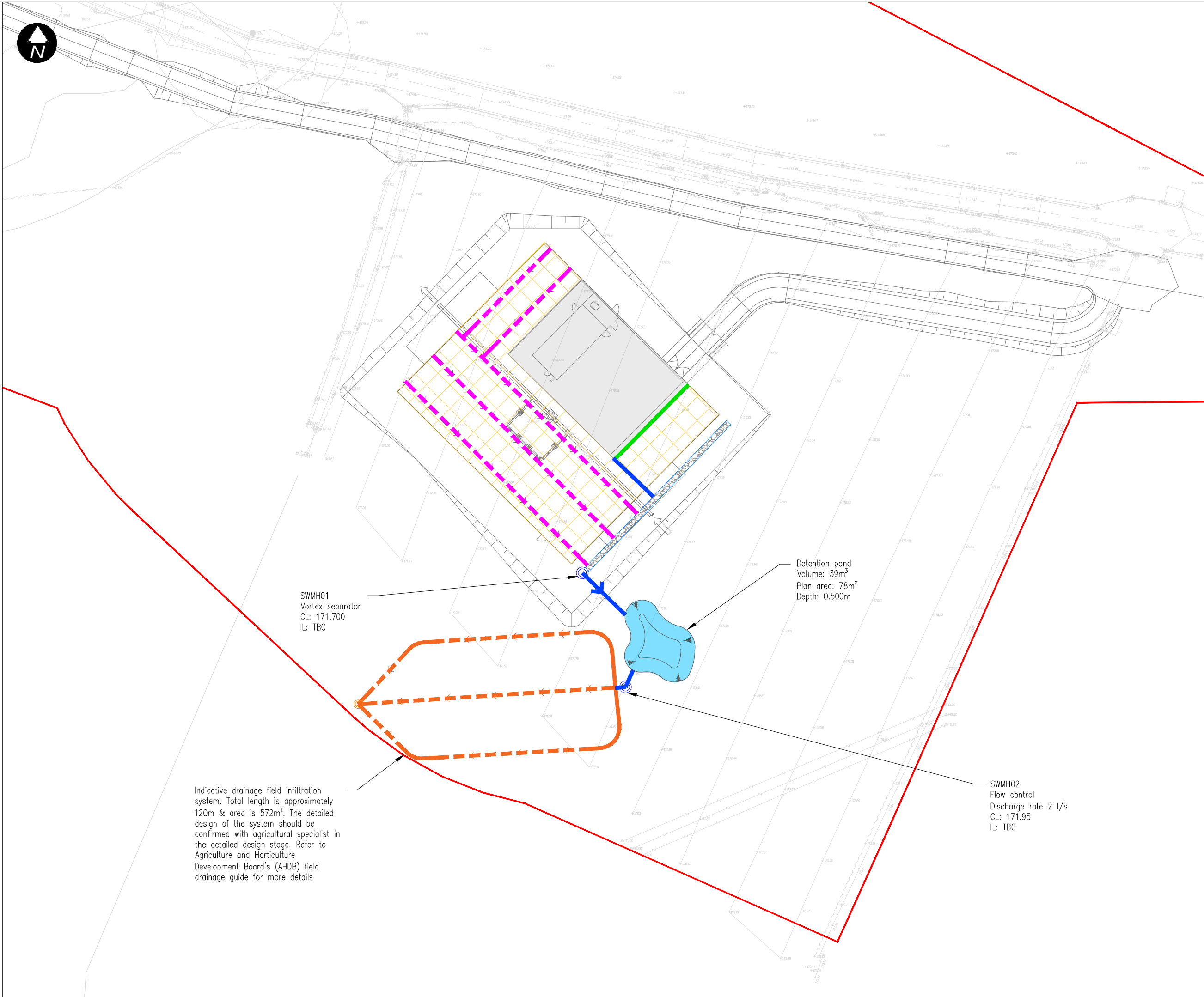


SWMH02
Flow control
Discharge rate 2 l/s
CL: 208.990
IL: TBC

Detention pond
Volume: 40m³
Plan area: 80m²
Depth: 0.500m

SWMH01
Vortex separator
CL: 211.990
IL: TBC

Indicative drainage field infiltration system. total length is approximately 120m & area is 572m². The detailed design of the system should be confirmed with agricultural specialist in the detailed design stage. Refer to Agriculture and Horticulture Development Board's (AHDB) field drainage guide for more details



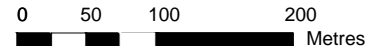
Location Plan

Notes:

1. This drawing is to be read in conjunction with the accompanying outline surface water drainage strategy.
2. Dimensions are not to be scaled from this drawing.
3. All dimensions are in metres unless otherwise stated.
4. Levels are in metres AOD unless stated otherwise.
5. All drainage works to be constructed in accordance with building regulations part H, sewer for adoption 7th and civil engineering specification for the water industry (last revisions) where appropriate.
6. All external private drainage pipes to be either clayware to BS EN 295 and BS EN 65 or plastic to BS EN 13476. All internal drainage to be cast iron to BS 416-1 and BS EN 877 or clayware to BS EN 285 and BS EN 65.
7. Outline drainage strategy to be submitted as part of the DCO submission and will be subject to consultation with relevant statutory authorities, including SuDS approving body [SAB].
8. Positioning and alignment of drainage features shown on the drawing are indicative and subject to detailed design and approval from SAB.
9. Detailed drainage layout to be prepared post DCO consent and subject to approvals from relevant approving bodies.
10. The position of existing services should be verified prior to commencement of works on-site.

Key:

- DCO Order Limit
- Proposed 1200Ø Manhole
- Proposed Underground Surface Water Pipe
- Proposed Filter Drainage Channel
- Proposed Filter Drain
- Proposed Detention Pond
- - - Proposed Land Drain
- Proposed Gravelled Area [746.5m²]
- Proposed Hardstanding Area [303.5m²]
- Existing Watercourse



Contains OS data © Crown Copyright and database right 2022

HyNet North West

PROJECT TITLE
HyNet Carbon Dioxide Pipeline DCO

DRAWING TITLE
Babell - Block Valve Station (BVS) Drainage layout

DRAWING STATUS
FOR DCO SUBMISSION

DRAWN	CHECKED	APPROVED	AUTHORISED
MA	MA	AS	NG

SCALE @ A3 SIZE	DATE	REVISION
1:500	20/09/2022	A

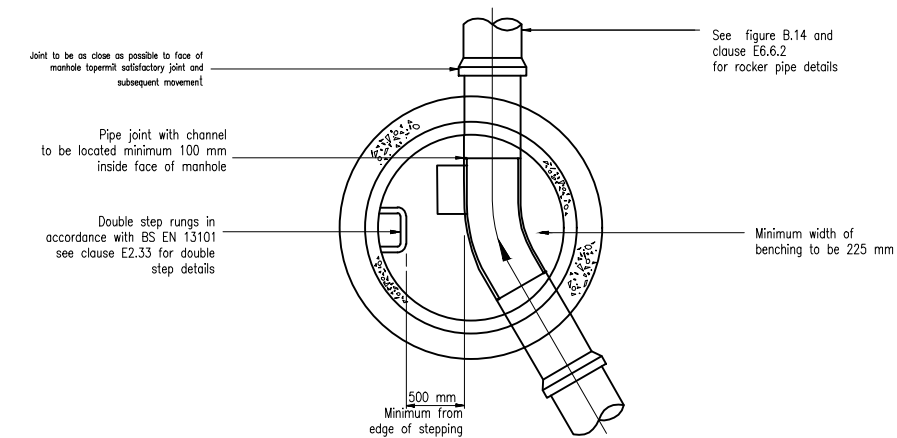
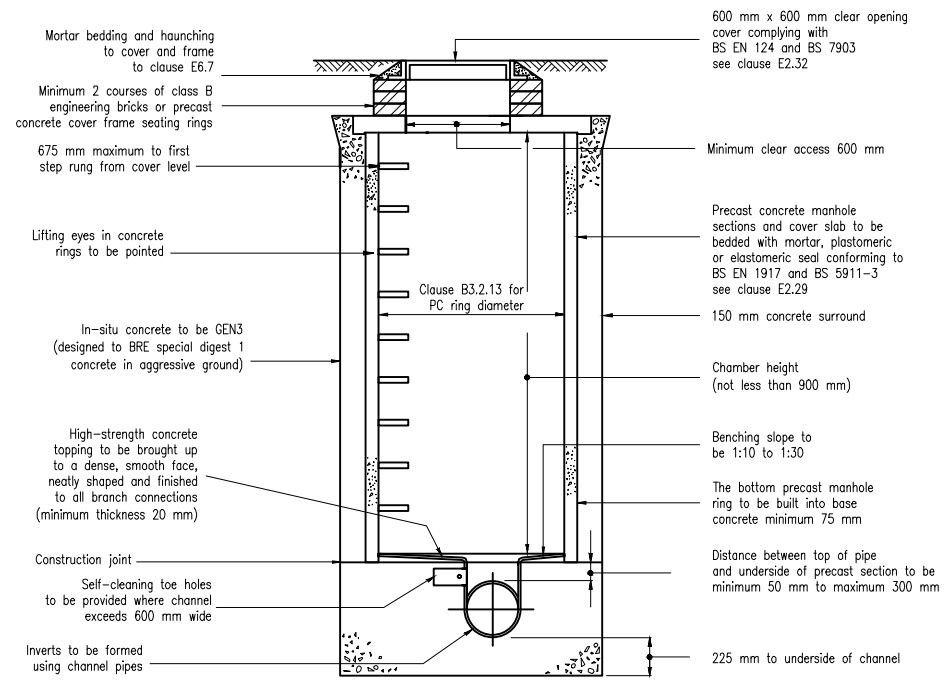
DRAWING NUMBER:
EN070007-D.6.5.13.1-LAY-SHEET 10

SWMH01
 Vortex separator
 CL: 171.700
 IL: TBC

Detention pond
 Volume: 39m³
 Plan area: 78m²
 Depth: 0.500m

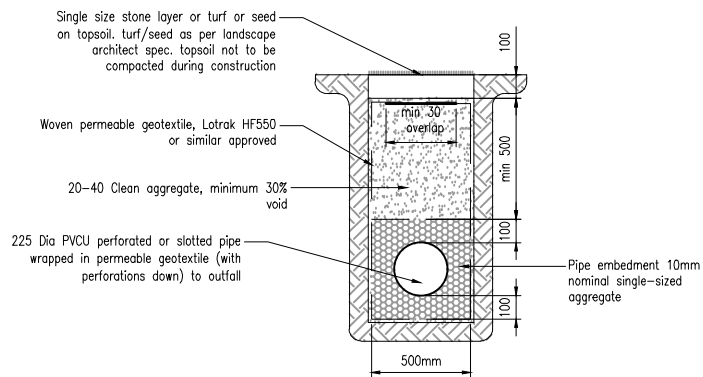
SWMH02
 Flow control
 Discharge rate 2 l/s
 CL: 171.95
 IL: TBC

Indicative drainage field infiltration system. Total length is approximately 120m & area is 572m². The detailed design of the system should be confirmed with agricultural specialist in the detailed design stage. Refer to Agriculture and Horticulture Development Board's (AHDB) field drainage guide for more details

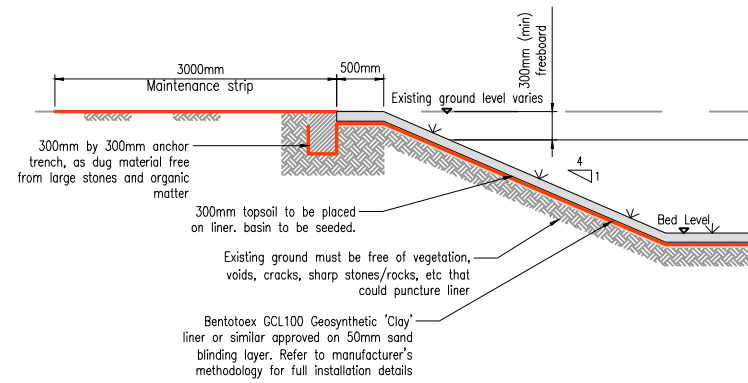


Typical manhole detail - type 2
maximum depth from cover level
to soffit of pipe 3.0m

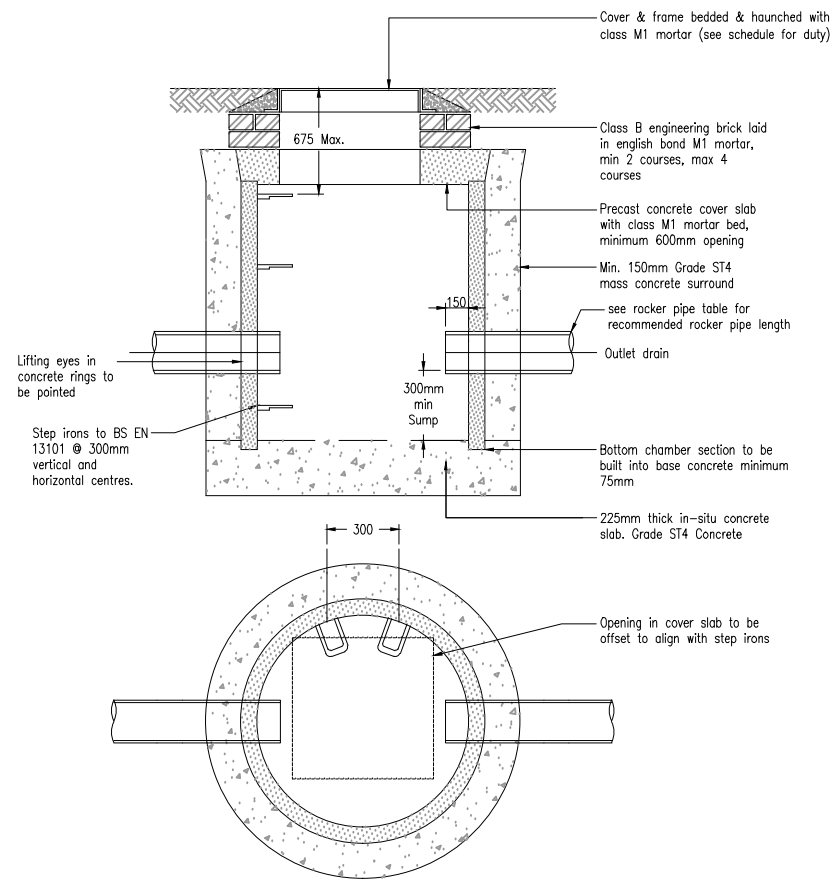
Rocker Pipe Lengths	
Nominal diameter (mm)	Effective length (mm)
150-600	600
601-750	1000
Over 750	1250



Typical filter drain
scale 1:20



Detention basin
scale 1:50



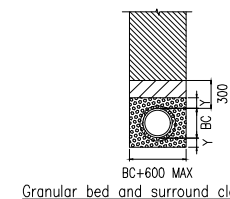
P.C.C. Catch pit detail
Scale 1:20

- KEY**
- Suitable backfill material.
 - Selected sidefill and surround. Class 8 lower trench fill table 6/1 SHW
 - Single size granular material. Table 5/3 SHW to BS 13242 coarse aggregate clause 4.3.2
 - GEN3 concrete bed and surround.

DN = Nominal internal diameter of pipe.
BC = Outside diameter of pipe.

Dimension Y

Class	Machine Dug	Uniform Soil	Rock or Mixed Soils
S	Note (i)		Note (ii)
Z	Note (ii)		Note (ii)



Pipe bedding details

(i) $Y=BC/6$, with min 100 under barrels (50 for sleeve jointed) and min 50 under sockets, whichever is the greater, with max of 400.

(ii) $Y=BC/4$, with min 200 under barrels (150 for sleeve jointed) and min 150 under sockets, whichever is the greater, with a max of 400.

Notes:

1. This drawing is to be read in conjunction with all relevant architects, services and engineers drawings together with relevant specifications.
2. Dimensions are not to be scaled from this drawing.
3. All dimensions are in millimeters unless otherwise stated.
4. This drawing is to be read in conjunction with all relevant project documentation and drawings.



Contains OS data © Crown Copyright and database right 2022

HyNet North West

PROJECT TITLE
HyNet Carbon Dioxide Pipeline DCO

DRAWING TITLE
TYPICAL CONSTRUCTION DETAILS SHEET 1 OF 2

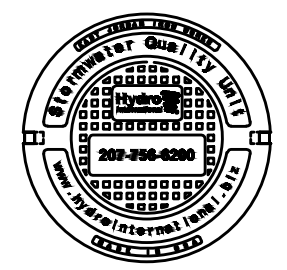
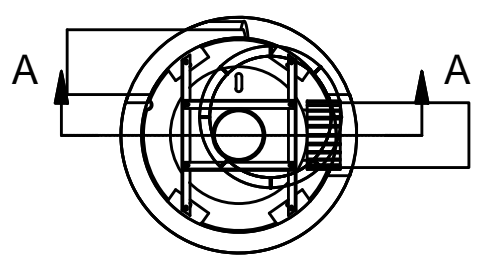
DRAWING STATUS
FOR DCO SUBMISSION

DRAWN	CHECKED	APPROVED	AUTHORISED
MA	MA	AS	NG

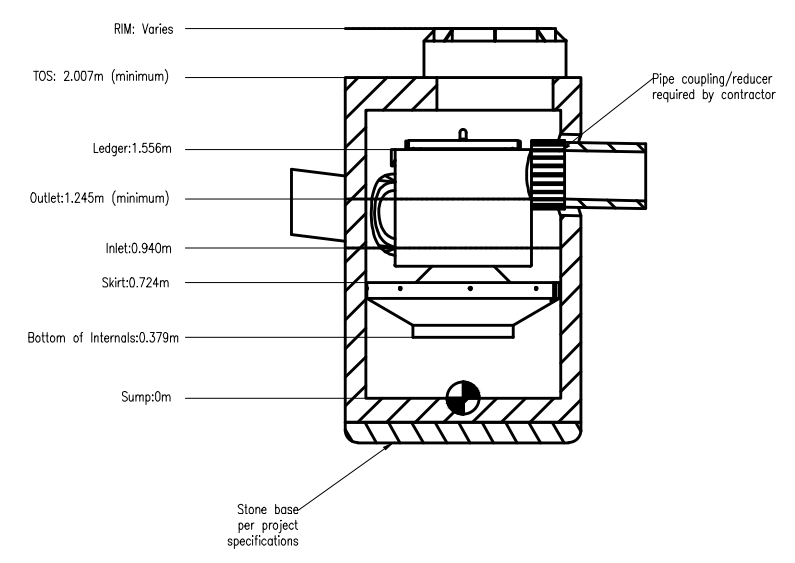
SCALE @ A3 SIZE	DATE	REVISION
NTS	20/09/2022	A

DRAWING NUMBER:
EN070007-D.6.5.13.1-DET-SHEET 1

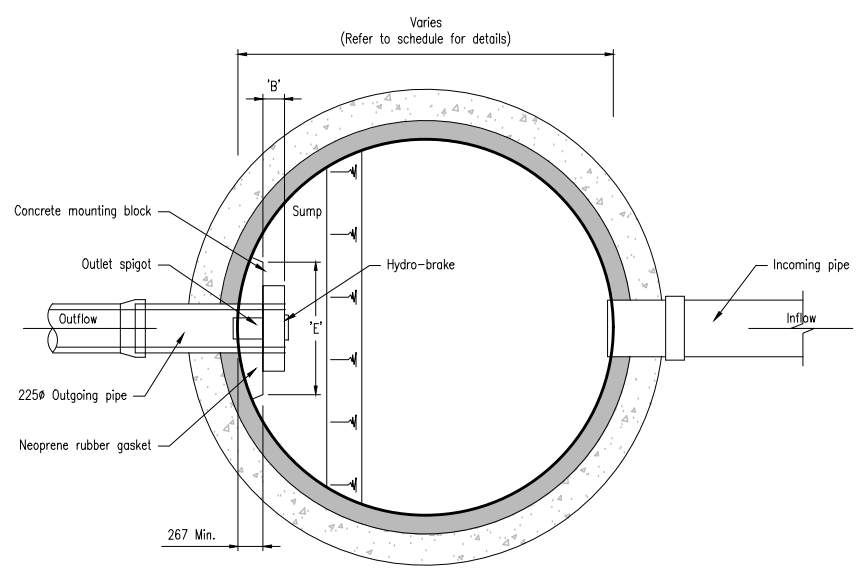
- Notes:
1. This drawing is to be read in conjunction with all relevant architects, services and engineers drawings together with relevant specifications.
 2. Dimensions are not to be scaled from this drawing.
 3. All dimensions are in millimeters unless otherwise stated.
 4. This drawing is to be read in conjunction with all relevant project documentation and drawings.



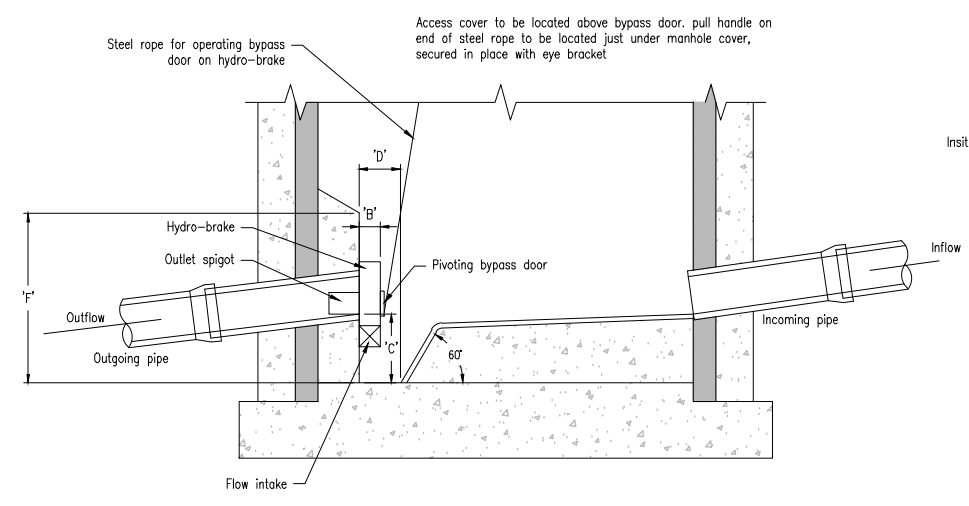
Hydro frame and cover (included)
grade rings by others
as required



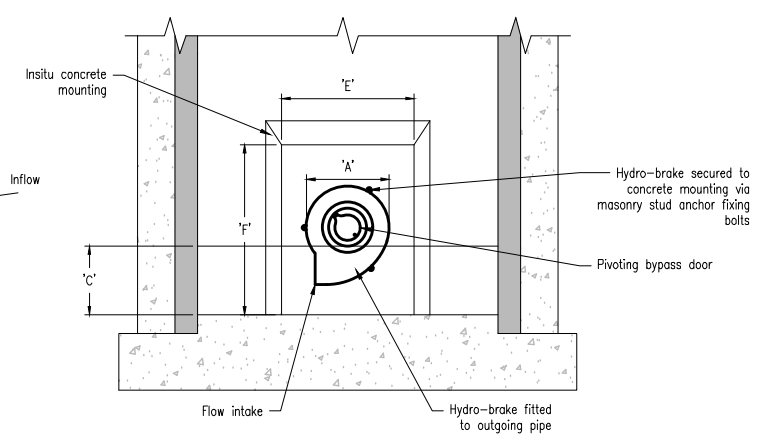
Section a-a



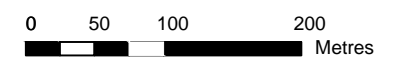
Plan on flow control chamber



Section through
flow control chamber



Flow control chamber
elevation on hydro-brake



Contains OS data © Crown Copyright and database right 2022

HyNet North West

PROJECT TITLE
HyNet Carbon Dioxide Pipeline DCO

DRAWING TITLE
Typical Construction Details
Sheet 2 Of 2

DRAWING STATUS
FOR DCO SUBMISSION

DRAWN MA	CHECKED MA	APPROVED AS	AUTHORISED NG
-------------	---------------	----------------	------------------

SCALE @ A3 SIZE NTS	DATE 20/09/2022	REVISION A
------------------------	--------------------	---------------

DRAWING NUMBER:
EN070007-D.6.5.13.1-DET-SHEET 2

Hydro-brake Dimension Table- (All dimensions in mm)

Chamber reference	Hydro international hydro-brake reference	'A' (Hydro-brake width)	'B' (Hydro-brake depth)	'C' (Sump depth)	'D' (Sump width)	'E' (Mounting block width)	'F' (Mounting block height)	Outgoing pipe size	Outgoing pipe invert level	Chamber invert level
SMH	SHE-0143-1320-2480-1320	865	150	480	200	1070	1215	Refer to layout	Refer to layout	Refer to layout

Hydro-brake to be installed in strict accordance with manufacturers details & specifications